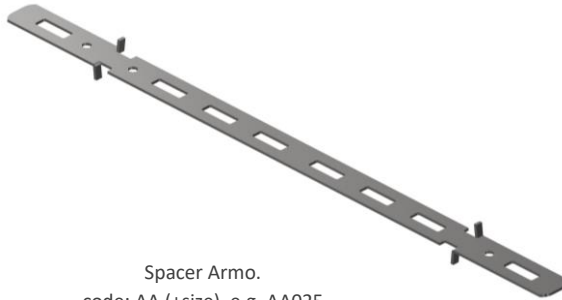


# PREMET

## ACCESSORIES FOR WOODEN FORMWORK



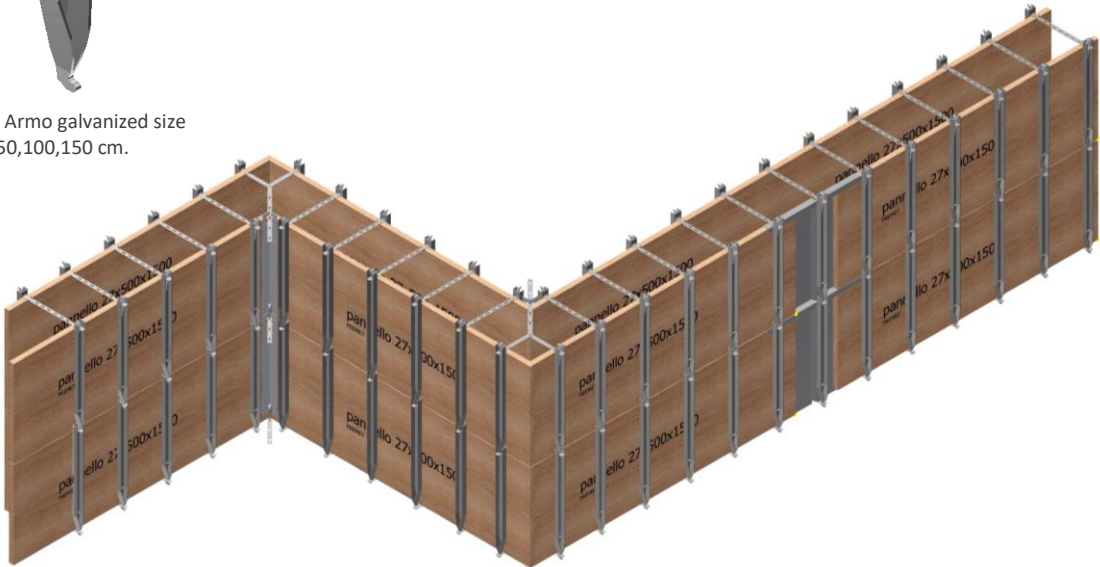
Profile Armo galvanized size 50,100,150 cm.



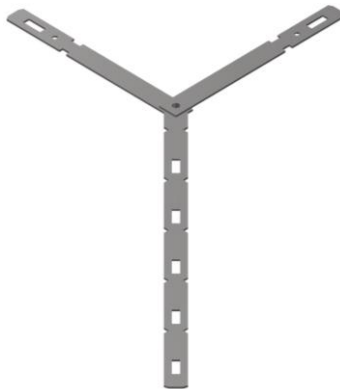
Spacer Armo.  
code: AA (+size) e.g. AA025



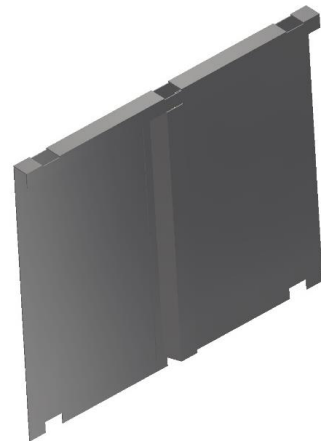
Big wedge Armo.  
code: AT33



Profile Armo galvanized size 50cm. code: AG01



Corner spacer from 15 to 35cm. code: AG15\_35

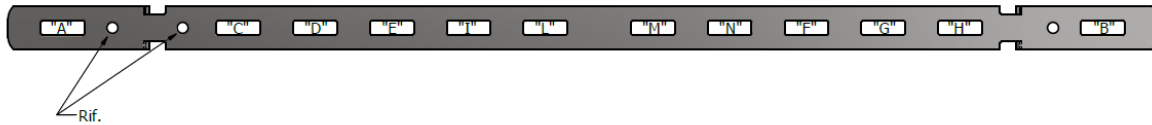


Compensation sheet galvanized. code: AT32

# PREMET

## SPACER ARMO ASOLA

- Our spacers ARMO ASOLA are made to be used not only in their extent, but, in case of necessity, the same spacer can be used for different undersize (see chart here below).
- Another advantage is that when the spacer is covered by the concrete, the holes do not allow the formation of air bubbles at the bottom, allowing the concrete to completely fill the formwork.
- The dimensions and load capacities are guaranteed by verifications made with FEM module and supported by certificate of transformation and certificate of chemical analysis of material origin.
- The package is flat, rigid and packed in a thermo-retracted nylon film.



Possible combination ARMO ASOLA 15 - 100																													
asola "A"	"B"	"C"	"D"	"E"	"F"	"G"	"H"	"I"	"L"	"M"	"N"	Armo da 15	Armo da 20	Armo da 25	Armo da 30	Armo da 35	Armo da 40	Armo da 45	Armo da 50	Armo da 55	Armo da 60	Armo da 65	Armo da 70	Armo da 75	Armo da 80	Armo da 85	Armo da 90	Armo da 95	Armo da 100
X	X											15	20	25	30	35	40	45	50	55	60	65	70	75	80	85	90	95	100
X	X	X										7	12	17	22	27	32	37	42	47	52	57	62	67	72	77	82	87	92
	X		X									-	8.5	13.5	18.5	23.5	28.5	33.5	38.5	43.5	48.5	53.5	58.5	63.5	68.5	73.5	78.5	83.5	88.5
	X			X								-	-	10	15	20	25	30	35	40	45	50	55	60	65	70	75	80	85
X					X							8.5	13.5	11.5	16.5	21.5	26.5	31.5	36.5	41.5	46.5	51.5	56.5	61.5	66.5	71.5	76.5	81.5	86.5
X						X						-	-	15	20	25	30	35	40	45	50	55	60	65	70	75	80	85	90
X							X					-	-	18.5	23.5	28.5	33.5	38.5	43.5	48.5	53.5	58.5	63.5	68.5	73.5	78.5	83.5	88.5	93.5
X										X		-	-	-	-	-	19.5	24.5	29.5	34.5	39.5	44.5	49.5	54.5	59.5	64.5	69.5	74.5	79.5
X											X	-	-	-	13	18	23	28	33	38	43	48	53	58	63	68	73	78	83
	X											-	-	-	-	16.5	21.5	26.5	31.5	36.5	41.5	46.5	51.5	56.5	61.5	66.5	71.5	76.5	81.5
	X								X			-	-	-	-	-	18	3	28	33	38	43	48	53	58	63	68	73	78

## STEEL ACCESSORIES



Spacer SAM



Wedge SAM



Profile SAM



C profile

Omega profile



U profile



Big wedge



Small wedge



Bracket 15-45

# PREMET

## LIFTING ACCESSORIES FOR CONSTRUCTION SITES



Self unloading bucket AUOTBLOK



Conical bucket BLOK

QUALITY GUARANTEE  
LONG LASTING  
SHAPE AND EDGES ARE ALL ROUNDED  
LIGHT AND STRONG  
MORE CAPACITY



Adjustable fork SICURA



Compass fork FACILE



Toolbox